

AVK BUTTERFLY VALVE, WAFER, PN 10 OR 16

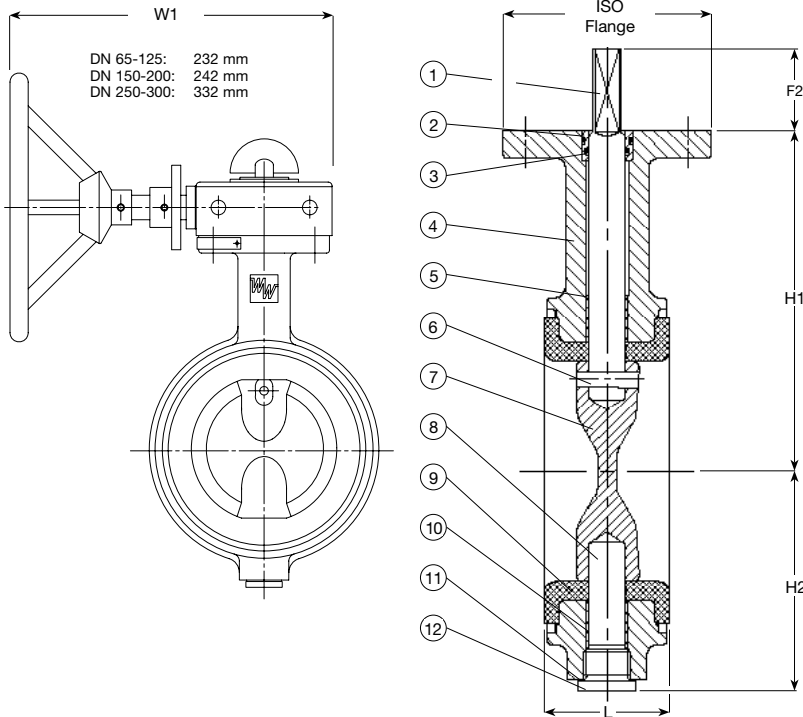
75/11
037

Butterfly valve to EN 593, for fire protection application to max. 70° C, designed according to DIN/EN, face to face according to EN 558 table 5 basic series 20. End connection to EN 1092-2 PN 6/10/16, ASME B16.5 Cl. 150. Hydraulic test according to FM. Approved according to FM.

Concentric wafer butterfly valve with fixed EPDM rubber lining. Body of ductile iron JL1030/GJS-400-15 (GGG-40). Disc, shaft and conical pin of stainless steel 1.4057. Top and bottom bearings of steel with PTFE coating. The shaft is sealed at the top by means of a bronze bushing with 2 EPDM O-rings and at the bottom by a plug of galvanized steel 8.8 with a copper sealing ring. Mounted with a handwheel-operated cast iron gear box including indicator plate and locking device. Epoxy coated red RAL 3000.

Accessories: Combi-flange AVK series 05, flange adaptors AVK series 603, 623 and 52/260





Concentric design with fixed liner

The concentric design enables mounting without any restriction as to the direction of the flow. The compact design and low weight offer easy handling, the streamlined disc shape ensures minimum turbulence and head loss, and the low torques ease operation and allow smaller actuators.

The benefits of a fixed liner design are:

- No corrosion between body and liner
- No balloon effect in open position
- No deformation of the liner
- Longer life in general

Component list

1. Shaft
2. Bushing
3. O-ring
4. Body
5. Bearing
6. Conical pin
7. Disc
8. Shaft
9. Lining
10. Bearing
11. Sealing ring
12. Plug

Reference nos. and dimensions

AVK ref. nos.	DN mm	Prod. PN	L mm	H1 mm	H2 mm	F2 mm	ISO flange	Theoretical weight kg
75-0050-102022026001	50	16	43	118	63	34	90	2,6
75-0065-102022026001	65	16	46	126	71	34	90	3,2
75-0080-102022026001	80	16	46	133	78	34	90	3,5
75-0100-102022026001	100	16	52	147	98	34	90	4,5
75-0125-102022026001	125	16	56	160	109	34	90	6,3
75-0150-102022026001	150	16	56	180	133	34	90	8,8
75-0200-102022026001	200	16	60	204	158	34	90	14
75-0250-102022023001	250	10	68	245	194	45	125	22
75-0250-102022026001	250	16	68	245	194	45	125	22
75-0300-102022023001	300	10	78	270	219	45	125	32
75-0300-102022026001	300	16	78	270	219	45	125	32