



AVK BUTTERFLY VALVE, SEMI LUG, PN 10

75/31

Fixed NBR liner, stainless steel disc, VdS approved

023

AVK centric butterfly valves with fixed liner feature an outstanding seating concept. The rubber is injection moulded directly on the valve body forming a permanent bond. Consequently, there is no risk of deformation or dislocation of the liner making the valves suitable under vacuum conditions. The combination of the profiled disc edge and the excellent AVK rubber quality ensures maximum durability of the liner.

Product Description:

Centric butterfly valve with fixed liner - semi lug - stainless steel disc - VdS approved for fire protection application

Standards:

- Face to face according to EN 558 table 5 basic series 20
- End connection to EN 1092-2 PN 10/16

Test/Approvals:

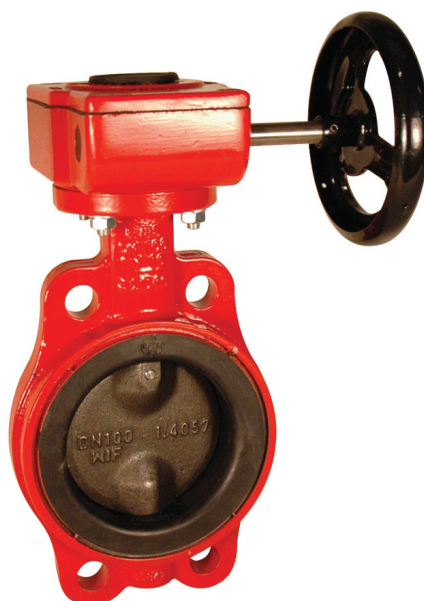
- Hydraulic test according to VdS.
- Approved according to VdS Certificate No. G 4930041

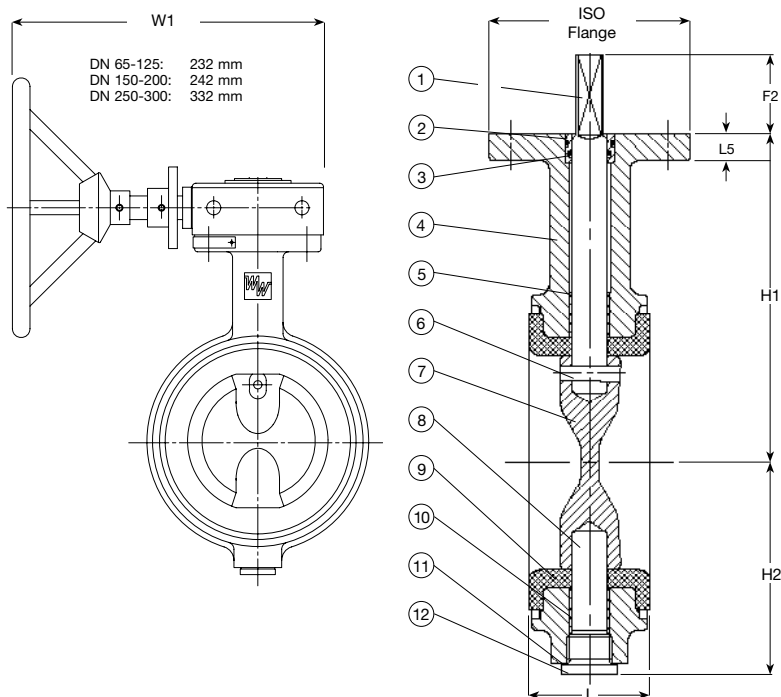
Features:

- Bonded vulcanized liner of NBR with an excellent compression set and thus ability to regain its original shape.
- Streamlined disc with minimum flow resistance.
- Profiled disc edge requires minimal deformation of the liner to achieve tight sealing, and results in less wear of the liner.
- Shaft and disc of stainless steel AISI 431.
- Shaft bearings of PTFE coated steel.
- Top shaft sealing consisting of a bronze bushing with two EPDM O-rings.
- Bottom shaft sealing consisting of a plug of galvanized steel with a copper sealing ring.
- Low torques as a result of the profiled disc edge and fixed liner design.
- Ductile iron body with PUR coating red RAL 3000.

Accessories:

Integrated limit switches





Component List:

1. Shaft	Stainless steel AISI 431	2. Bushing	Bronze
3. O-ring	NBR rubber	4. Body	Ductile iron, EN-GJS-400-15 (GGG-40)
5. Bearing	PTFE coated steel	6. Conical pin	Stainless steel AISI 431
7. Disc	Stainless steel AISI 431	8. Shaft	Stainless steel AISI 431
9. Lining	NBR rubber	10. Bearing	PTFE coated steel
11. Sealing ring	Copper	12. Plug	Galvanized steel

Components may be substituted with equivalent or higher class materials without prior notification.

Reference Nos. and Dimensions:

AVK ref. nos	DN mm	Product PN Class	L mm	H1 mm	H2 mm	F2 mm	L5 mm	ISO flange	Theoretic. weight kg
75-0050-30-214202600204	50	PN16	43	118	63	34	12	90	2.8
75-0065-30-214202600204	65	PN16	46	126	71	34	12	90	3.6
75-0080-30-214202600204	80	PN16	46	133	78	34	12	90	3.9
75-0100-30-214202600204	100	PN16	52	147	98	34	12	90	5.1
75-0125-30-214202600204	125	PN16	56	160	109	34	12	90	7.0
75-0150-30-214202600204	150	PN16	56	180	133	34	14	90	9.5
75-0200-30-214202600204	200	PN16	60	204	158	34	14	90	14
75-0250-30-214201300204	250	PN10	68	245	194	45	15	125	24
75-0250-30-214202600204	250	PN16	68	245	194	45	15	125	24
75-0300-30-214201300204	300	PN10	78	270	219	45	15	125	36
75-0300-30-214202600204	300	PN16	78	270	219	45	15	125	36