

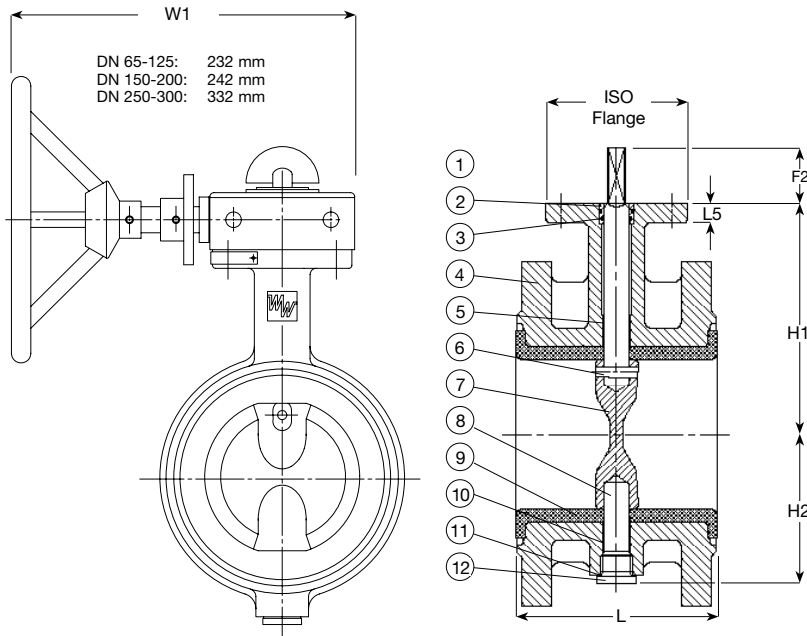
AVK BUTTERFLY VALVE, DOUBLE FLANGED SHORT, PN 10 OR 16**75/41
023**

Butterfly valve to EN 593, for fire protection application to max. 70° C, designed according to DIN/EN, Face to face according to EN 558 table 4 basic series 13. Standard flange drilling to EN1092-2 (ISO 7005-2)
Hydraulic test according to FM.
Approved according to FM.

Concentric double flanged (short) butterfly valve with fixed NBR rubber lining. Body of ductile iron JL1030/GJS-400-15 (GGG-40). Shaft, disc and conical pin of duplex steel, optionally shaft of stainless steel AISI 431 and disc/conical pin of alubronze. Top and bottom bearings of steel with PTFE coating. The shaft is sealed at the top by means of a bronze bushing with 2 EPDM O-rings and at the bottom by a plug of galvanized steel 8.8 with a copper sealing ring.
Mounted with a handwheel-operated cast iron gear box including indicator plate.
Epoxy coated red RAL 3000.

Accessories: Combi-flange AVK series 05 for PE/PVC or GGG, universal Supra flange adaptor AVK series 603, dedicated Supra Plus flange adaptor series 623 for PE/PVC, universal tensile Supra Maxi flange adaptor series 633 and fabricated flange adaptor series 260.





Concentric design with fixed liner

The concentric design enables mounting without any restriction as to the direction of the flow. The compact design and low weight offer easy handling, the streamlined disc shape ensures minimum turbulence and head loss, and the low torques ease operation and allow smaller actuators.

The benefits of a fixed liner design are:

- No corrosion between body and liner
- No balloon effect in open position
- No deformation of the liner
- Longer life in general

Component list

1. Shaft
2. Bushing
3. O-ring
4. Body
5. Bearing
6. Conical pin
7. Disc
8. Shaft
9. Lining
10. Bearing
11. Sealing ring
12. Plug

Reference nos. and dimensions

AVK ref. nos.	DN mm	Prod. PN class	PN drilling	L mm	L5 mm	H1 mm	H2 mm	F2 mm	ISO flange	Theoretical weight kg
75-0050-20-213002610304 #)	50	16	16	108	12	118	63	34	90	8,0
75-0065-20-213002610304 #)	65	16	16	112	12	126	71	34	90	9,0
75-0080-20-213002610304 #)	80	16	16	114	12	133	78	34	90	11
75-0100-20-213002610304 #)	100	16	16	127	12	147	98	34	90	13
75-0125-20-213002610304 #)	125	16	16	140	12	160	109	34	90	17
75-0150-20-213002610304 #)	150	16	16	140	14	180	133	34	90	23
75-0200-20-213001310304 #)	200	10	10	152	14	204	158	34	90	32
75-0200-20-213002610304 #)	200	16	16	152	14	204	158	34	90	32
75-0250-20-213001310304 #)	250	10	10	165	15	245	194	45	125	50
75-0250-20-213002610304 #)	250	16	16	165	15	245	194	45	125	50
75-0300-20-213001310304 #)	300	10	10	178	15	270	219	45	125	65
75-0300-20-213002610304 #)	300	16	16	178	15	270	219	45	125	65

Disc material in Duplex