



## AVK DOUBLE ECCENTRIC BUTTERFLY VALVE, PN10/16

756/2

Integral seat, WRAS appr. sealing, IP67 gearbox, DN1400-2200, plate disc, short

002

AVK double eccentric butterfly valves are designed with tilted and fixated disc for extended service life and easy operation. The disc seal is made of AVK's drinking water approved EPDM rubber featuring an excellent compression set and thus ability to regain its original shape. The WRAS approved epoxy coating and fully encapsulated shaft/disc connection ensure high durability. The valves are suitable for bi-directional application.

### Product Description:

Double eccentric butterfly valve for drinking water and neutral liquids to max. 70° C

### Standards:

- Designed according to EN 593
- Face to face according to EN 558 Table 2 Basic Series 13
- Standard flange drilling to EN1092 (ISO 7005-2), PN 10/16

### Test/Approvals:

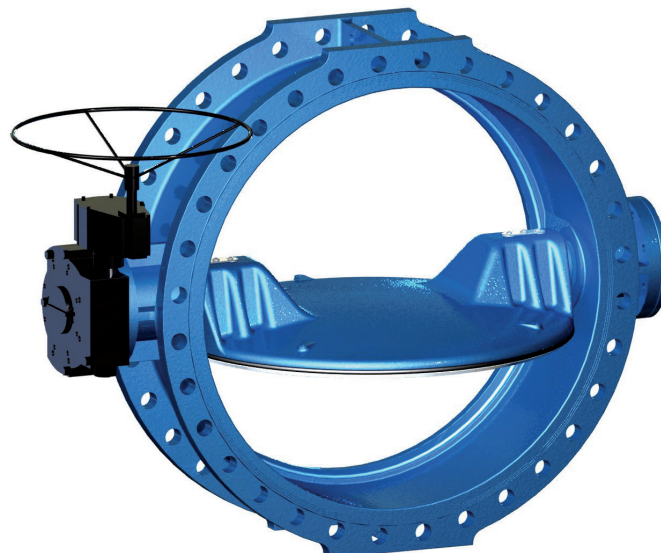
- Hydraulic test according to EN 1074-1 and 2 / EN 12266.
- Approved for drinking water / pressure test EN1074

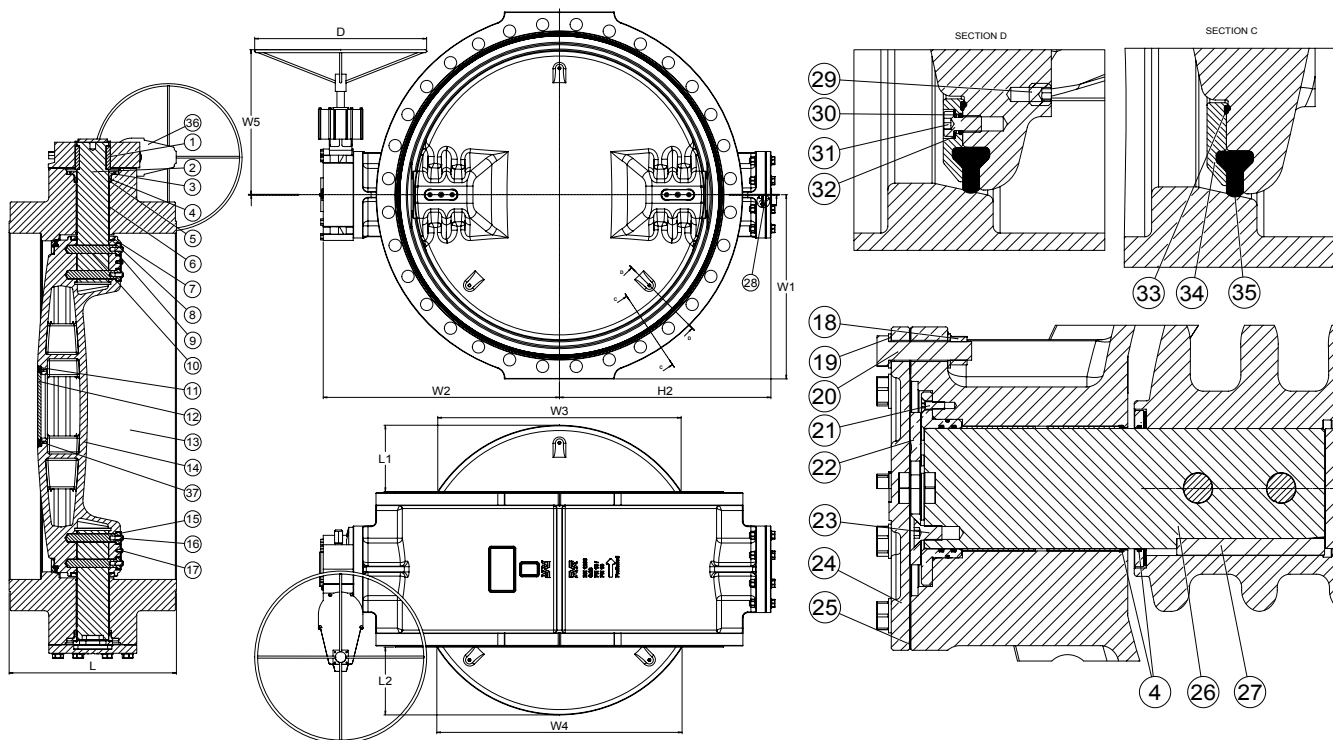
### Features:

- The tilted disc releases the compression of the disc sealing after a few degrees of opening, which extends the durability and gives low operating torques
- The disc is fixated to prevent wear and fluttering
- The disc seal profile and rubber quality ensure low closing torques
- Seal retainer ring of stainless steel
- The threaded bolt holes in the disc are corrosion protected with O-rings
- Machined and epoxy coated ductile iron seat integrated in the body
- Shaft of stainless steel with self-lubricating bearings
- The shaft ends are fully encapsulated in the disc and are fixed with dowels corrosion protected with O-rings and a stainless steel security plate. Key and keyway as backup.
- Replaceable shaft sealing with two EPDM O-rings on each side of a bronze bushing, and a flat NBR gasket
- Optional locking device
- Body and disc of ductile iron with two pack epoxy RAL 5017 externally and ribbon blue or cream white internally according to WRAS

### Accessories:

Locking device, dismantling joint and flange adaptor





**Component List:**

1. Key	Stainless steel A2	2. Valve shaft	Stainless steel AISI 420
3. Seal housing	Bronze	4. O-ring	EPDM rubber
5. O-ring	EPDM rubber	6. Self-lubricating bearing	Lead free PTFE sliding face
7. Disc cover	Stainless steel	8. Disc cover gasket	EPDM rubber
9. O-ring	EPDM rubber	10. Dowel	Stainless steel A2
11. O-ring	EPDM rubber	12. Blanking flange	Ductile iron, EN-GJS-500-7 (GGG-50)
13. Body	Ductile iron, EN-GJS-500-7 (GGG-50)	14. Disc	Ductile iron, EN-GJS-500-7 (GGG-50)
15. Security plate	Stainless steel	16. Screw	Stainless steel A2
17. Screw	Stainless steel A2	18. Nut	Stainless steel A2
19. Washer	Stainless steel A2	20. Screw	Stainless steel A2
21. Screw	Stainless steel A2	22. Axial bearing	Bronze
23. Screw	Stainless steel A2	24. End plate	Ductile iron, EN-GJS-500-7 (GGG-50)
25. Gasket	EPDM rubber	26. Stub shaft	Stainless steel AISI 420
27. Safety key	Stainless steel A2	28. Screw	Stainless steel A2
29. Screw	Stainless steel A2	30. O-ring	EPDM rubber
31. Bolt	Stainless steel A2	32. Washer	Stainless steel A2
33. O-ring	EPDM rubber	34. Seal retainer ring	Stainless steel
35. Disc seal	EPDM rubber	36. Gearbox	Cast iron
37. Screw	Stainless steel A2		

Components may be substituted with equivalent or higher class materials without prior notification.

**Reference Nos. and Dimensions:**

AVK ref. nos	DN mm	Flange drilling	D mm	L mm	L1 mm	L2 mm	H2 mm	W1 mm	W2 mm	W3 mm	W4 mm	W5 mm	Theoretical weight kg
756-1400-2-04	1400	PN10	700	530	423	429	970	838	1071	1274	1279	550	2032.0
756-1400-2-14	1400	PN16	700	530	423	429	970	843	1119	1274	1279	571	2328.0
756-1500-2-04	1500	PN10	700	600	438	444	1070	893	1171	1352	1357	550	2505.0
756-1500-2-14	1500	PN16	700	600	438	444	1070	913	1219	1352	1357	571	2868.0
756-1600-2-04	1600	PN10	700	600	485	491	1145	958	1294	1454	1459	571	3033.0
756-1600-2-14	1600	PN16	700	600	485	491	1145	965	1294	1454	1459	606	3278.0
756-1800-2-04	1800	PN10	700	670	548	554	1220	1058	1369	1638	1643	606	3498.0

For further details see section "Technical Information".  
The designs, materials and specifications shown are subject to change without notice due to the continuous development of our product programme.

AVK ref. nos	DN mm	Flange drilling	D mm	L mm	L1 mm	L2 mm	H2 mm	W1 mm	W2 mm	W3 mm	W4 mm	W5 mm	Theoretical weight kg
756-1800-2-14	1800	PN16	700	670	548	554	1220	1065	1398	1638	1643	721	3969.0
756-2000-2-04	2000	PN10	700	760	616	622	1382	1180	1532	1844	1849	686	5120.0
756-2000-2-14	2000	PN16	700	760	616	622	1382	1180	1542	1844	1849	747	5573.0
756-2200-2-04	2200	PN10	700	800	691	697	1472	1275	1622	2033	2038	721	6078.0

For further details see section "Technical Information".  
The designs, materials and specifications shown are subject to change without notice due to the continuous development of our product programme.