



AVK DOUBLE ECCENTRIC BUTTERFLY VALVE, PN10/16

756/218

Integral seat, IP67 gearbox, DN700-1200, plate disc, short, AISI 420 shaft

001

AVK double eccentric butterfly valves are designed with tilted and fixated disc for extended service life and easy operation. The disc seal is made of AVK's drinking water approved EPDM rubber featuring an excellent compression set and thus ability to regain its original shape. The DVGW/WRAS approved epoxy coating and fully encapsulated shaft/disc connection ensure high durability. The valves are suitable for bi-directional application.

Product Description:

Double eccentric butterfly valve to EN 593 w. integral seat and IP67 gearbox w. handwheel for drinking water and neutral liquids to max. 70°C

Standards:

- Designed according to EN 593
- Face to face according to EN 558 Table 2 Basic Series 13
- Standard flange drilling to EN1092-2 (ISO 7005-2), PN 10/16

Test/Approvals:

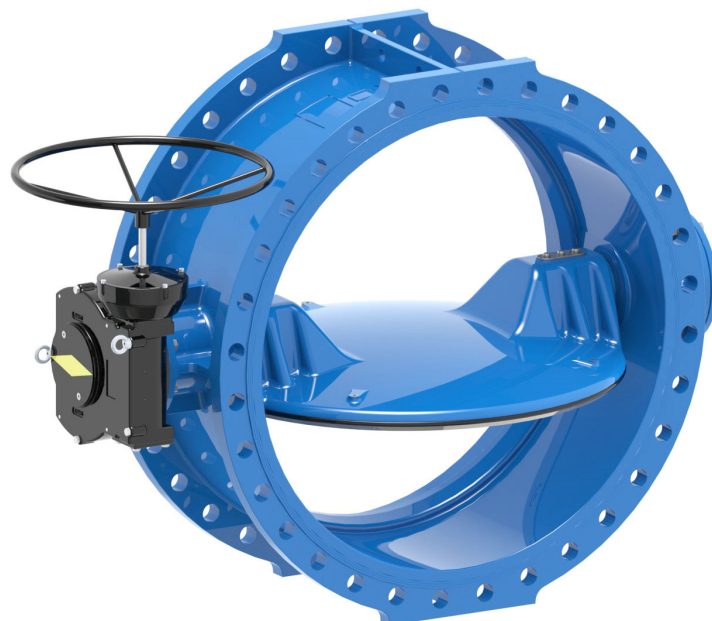
- Hydraulic test according to EN 1074-1 and 2 / EN 12266.
- Approved according to WRAS Certificate No. 1111078
- Approved according to DIN-DVGW Certificate NW-6201BR0451
- Approved according to KIWA Certificate K 6320 (DN700-DN800 only)

Features:

- The tilted disc releases the compression of the disc sealing after a few degrees of opening, which extends the durability and gives low operating torques
- The disc is fixated to prevent wear and fluttering
- The disc seal profile and rubber quality ensure low closing torques
- All rubber parts are multi approved
- Seal retainer ring of epoxy coated steel
- The threaded bolt holes in the disc are corrosion protected with O-rings
- Machined and epoxy coated ductile iron seat integrated in the body
- Shaft of stainless steel with self-lubricating bearings
- The shaft ends are fully encapsulated in the disc and are fixed with dowels corrosion protected with O-rings and a stainless steel security plate. Key and keyway as backup
- Replaceable shaft sealing with two EPDM O-rings on each side of a bronze bushing, and a flat NBR gasket
- Optional locking device
- Body and disc of ductile iron with fusion bonded epoxy to DIN 30677-2, GSK approved, RAL 5017, according to WRAS-DVGW/W270/UBA

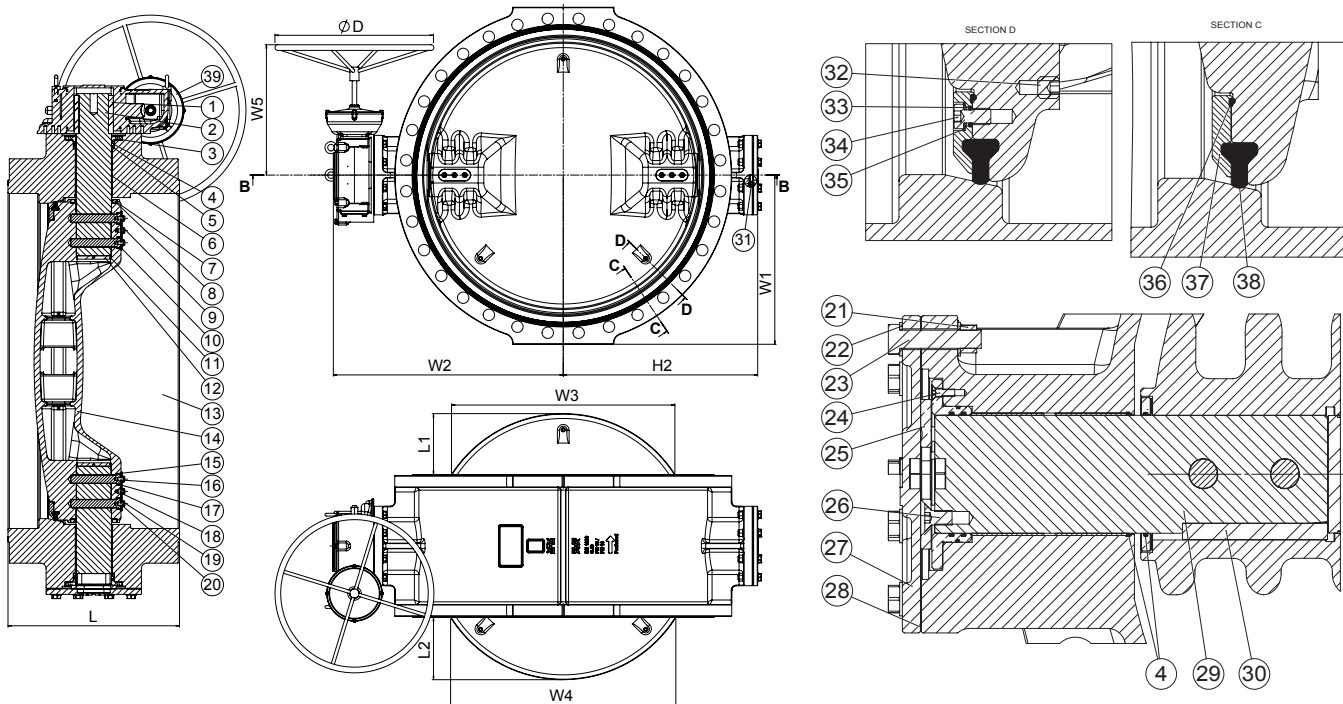
Accessories:

Locking device, extension spindle, street cover, dismantling joint and flange adaptor



kiwa

Expect... **AVR**



Component List:

1. Key	Stainless steel A2	2. Valve shaft	Stainless steel AISI 420
3. Seal housing	Bronze	4. O-ring	EPDM rubber
5. O-ring	EPDM rubber	6. Self-lubricating bearing	Lead free PTFE sliding face
7. Disc cover	Stainless steel	8. Disc cover gasket	EPDM rubber
9. O-ring	EPDM rubber	10. Dowel	Stainless steel A2
11. O-ring	EPDM rubber	12. Plug	Steel
13. Body	Ductile iron, EN-GJS-500-7 (GGG-50)	14. Disc	Ductile iron, EN-GJS-500-7 (GGG-50)
15. Security plate	Stainless steel	16. Screw	Stainless steel A2
17. O-ring	EPDM rubber	18. Spring washer	Stainless steel A2
19. Zinc washer	Zinc pure	20. O-ring	EPDM rubber
21. Nut	Stainless steel A2	22. Washer	Stainless steel A2
23. Screw	Stainless steel A2	24. Screw	Stainless steel A2
25. Axial bearing	Bronze	26. Screw	Stainless steel A2
27. End plate	Ductile iron, EN-GJS-500-7 (GGG-50)	28. Gasket	EPDM rubber
29. Stub shaft	Stainless steel AISI 420	30. Safety key	Stainless steel A2
31. Screw	Stainless steel A2	32. Screw	Stainless steel A2
33. O-ring	EPDM rubber	34. Bolt	Stainless steel A2
35. Washer	Stainless steel A2	36. O-ring	EPDM rubber
37. Seal retainer ring	Epoxy coated steel	38. Disc seal	EPDM rubber
39. Gearbox	Cast iron		

Components may be substituted with equivalent or higher class materials without prior notification.

Reference Nos. and Dimensions:

The designs, materials and specifications shown are subject to change without notice. This is due to the continuous development of our product programme.

AVK ref. nos	DN mm	Flange drilling	ØD mm	L mm	L1 mm	L2 mm	H2 mm	W1 mm	W2 mm	W3 mm	W4 mm	W5 mm	Theoretic. weight kg
756-0700-2-04018014	700	PN10	600	292	196	202	550	448	641	622	627	457	410
756-0700-2-14018014	700	PN16	700	292	196	202	550	455	641	622	627	517	477
756-0800-2-04018014	800	PN10	600	318	232	238	620	508	711	718	724	457	545
756-0800-2-14018014	800	PN16	700	318	232	238	620	513	711	718	724	517	659
756-0900-2-04018014	900	PN10	700	330	276	282	690	558	791	822	827	517	679
756-0900-2-14018014	900	PN16	700	330	276	282	690	563	791	822	827	570	797
756-1000-2-04018014	1000	PN10	700	410	286	292	770	615	871	896	902	530	911
756-1000-2-14018014	1000	PN16	600	410	286	292	770	628	871	896	902	570	1095
756-1200-2-04018014	1200	PN10	600	470	349	355	855	728	956	1073	1078	570	1345
756-1200-2-14018014	1200	PN16	700	470	349	355	855	743	956	1073	1078	590.5	1642

The designs, materials and specifications shown are subject to change without notice. This is due to the continuous development of our product programme.