



## AVK CENTRIC WAFER BUTTERFLY VALVE, PN 10/16

75/10

Fixed EPDM liner for water, duplex/rilsan coated disc

EVS



AVK centric butterfly valves with fixed liner feature an outstanding seating concept. The rubber is injection moulded directly on the valve body forming a permanent bond. Consequently, there is no risk of deformation or dislocation of the liner making the valves suitable under vacuum conditions. The combination of the profiled disc edge and the excellent AVK rubber quality ensures maximum durability of the liner.

### Product Description:

Centric butterfly valve with fixed liner for drinking water and neutral liquids to max. 70°C

### Standards:

- Face to face according to EN 558 table 5 basic series 20
- End connection to EN1092-2 PN 6/10/16, AS2129 TabD/E, ASME B16.5 Cl. 150

### Test/Approvals:

- Hydraulic test according to EN 1074-1 and 2 / EN 12266.
- Approved according to DIN-DVGW Certificate NW-6201AP2412
- Approved according to KIWA Certificate K 6070/05

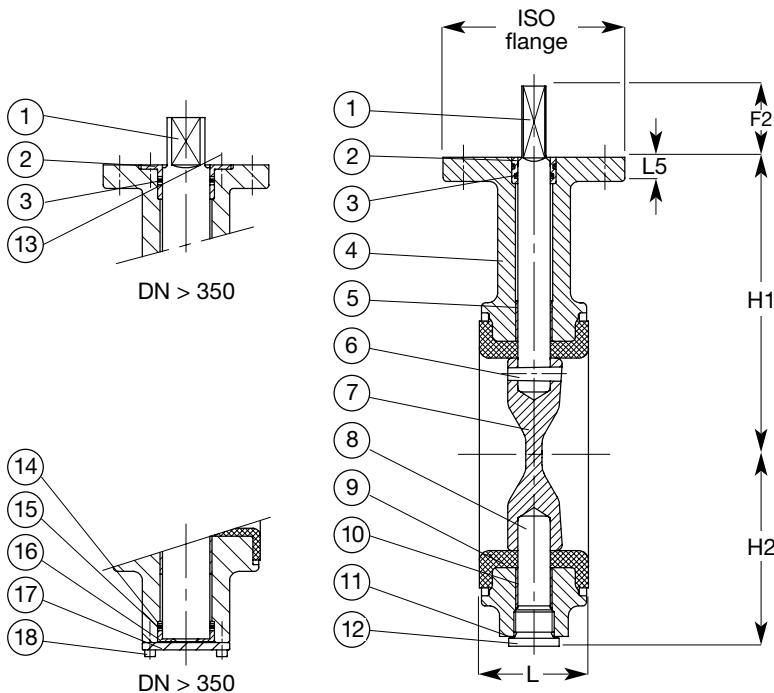
### Features:

- Bonded vulcanized liner of drinking water approved EPDM with an excellent compression set and thus ability to regain its original shape
- Streamlined disc with minimum flow resistance
- Profiled disc edge requires minimal deformation of the liner to achieve tight sealing, and results in less wear of the liner
- Disc, shaft and conical pin of duplex steel 1.4462 in  $DN \leq 200$ . Disc of rilsan coated ductile iron, and shaft and conical pin of stainless steel in  $DN \geq 250$
- Shaft bearings of PTFE coated steel
- Top shaft sealing:  $DN \leq 350$ : Bronze bushing with two EPDM O-rings,  $DN \geq 400$ : EPDM O-ring in bushing fixed with countersunk screws of galvanized steel
- Bottom shaft sealing:  $DN \leq 350$ : Plug of galvanized steel with a copper sealing ring,  $DN \geq 400$ : Axial bearing and ring of alubronze and an EPDM O-ring, protected by a cover plate of galvanized steel
- Low torques as a result of the profiled disc edge and fixed liner design
- Ductile iron body with 200  $\mu$  epoxy coating blue RAL 5017

### Accessories:

Lever, gearbox, pneumatic and electric actuators, universal Supa flange adaptor, dedicated tensile Supa Plus™ flange adaptor for PE/PVC, universal tensile Supa Maxi™ flange adaptor





**Component List:**

1. Shaft	Duplex steel	2. Bushing	Bronze
3. O-ring	EPDM rubber	4. Body	Ductile iron, EN-GJS-400-15 (GGG-40)
5. Bearing	PTFE coated steel	6. Conical pin	Duplex steel
7. Disc	=200 Duplex steel, DN=250 rilsan coated	8. Shaft	Duplex steel
9. Lining	EPDM rubber	10. Bearing	PTFE coated steel
11. Sealing ring	Copper	12. Plug	Galvanized steel
13. Screw	Galvanized steel	14. Ring	Alubronze
15. O-ring	EPDM rubber	16. Axial bearing	Alubronze
17. Cover plate	Galvanized steel	18. Screw	Galvanized steel

Components may be substituted with equivalent or higher class materials without prior notification.

**Reference Nos. and Dimensions:**

AVK ref. nos	DN mm	Product PN Class	L mm	H1 mm	H2 mm	F2 mm	L5 mm	ISO flange	Theoretical weight kg
75-0040-10-223002614200 <sup>(1)</sup>	40	PN16	43	118	63	34	12	90	2.6
75-0050-10-223002614200 <sup>(1)</sup>	50	PN16	43	118	63	34	12	90	3.0
75-0065-10-223002614200 <sup>(1)</sup>	65	PN16	46	126	71	34	12	90	3.2
75-0080-10-223002614200 <sup>(1)</sup>	80	PN16	46	133	78	34	12	90	3.5
75-0100-10-223002614200 <sup>(1)</sup>	100	PN16	52	147	98	34	12	90	4.5
75-0125-10-223002614200 <sup>(1)</sup>	125	PN16	56	160	109	34	12	90	6.3
75-0150-10-223002614200 <sup>(1)</sup>	150	PN16	56	180	133	34	14	90	8.8
75-0200-10-223001314200 <sup>(1)</sup>	200	PN10	60	204	158	34	14	90	13
75-0250-10-225101314200	250	PN10	68	245	194	45	15	125	22
75-0300-10-225101314200	300	PN10	78	270	219	45	15	125	32
75-0350-10-225101314200	350	PN10	78	315	256	45	15	125	40
75-0400-10-225101314200	400	PN10	102	353	308	50	25	175	75
75-0450-10-225101314200	450	PN10	114	388	334	50	25	175	90
75-0500-10-225101314200	500	PN10	127	413	360	50	25	175	120
75-0600-10-225101314200	600	PN10	154	510	426	50	25	175	180
75-0700-10-225101314200	700	PN10	165	560	480	60	25	210	295
75-0800-10-225101314200	800	PN10	190	610	525	60	25	210	345

For further details see section "Technical Information".  
The designs, materials and specifications shown are subject to change without notice due to the continuous development of our product programme.

AVK ref. nos	DN mm	Product PN Class	L mm	H1 mm	H2 mm	F2 mm	L5 mm	ISO flange	Theoretical weight kg
75-0900-10-225101314200	900	PN10	203	690	635	90	30	300	475
75-1000-10-225101314200	1000	PN10	216	740	685	90	30	350	635

<sup>(1)</sup> Disc material in duplex