

Series 76 - Butterfly Valve DN50-400

Description

Centric butterfly valve with elastomer liner, acc. to EN 593
Application fields: Building services, irrigation and general industrial applications

Product features

Body construction **76/70 Wafer**, 76/71 Lug
Face to face dimension according to ISO 5752/20, EN 558-1/20
Top flange according to EN ISO 5211
Max. working pressure DN25-150 16bar, DN 200-300 10 bar
Rating PN6, PN10, PN16, ANSI cl. 150

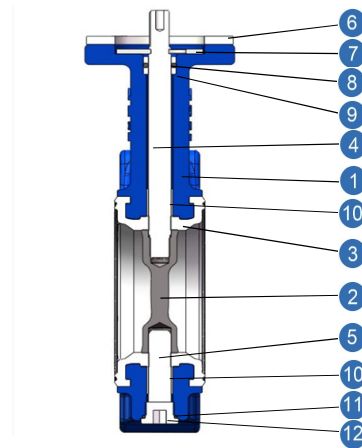
Temperature range -10°C ÷ 130°C according to materials and working conditions

Hydraulic test according to EN 12266 P10/P12
The butterfly valves Series 76 meet the safety requirements of the pressure Equipments Directive 97/23/EC (PED) appendix 1 for fluids of the groups 1 and 2



Material specification

1	Body	Ductile iron	Epoxy coated
2	Disc	Ductile iron	Epoxy coated
3	Liner	EPDM	WARS Approved
4	Upper shaft	EPDM HT	
5	Lower shaft	Stainless steel	1.4021(AISI 420)
6	Dew point barrier	Stainless steel	1.4021(AISI 420)
7	Retaining plate	PP(white)	
8	O-ring	POM	
9	O-ring	EPDM	
10	Ring	POM	
11	Bearing	Steel/PTFE	
12	O-ring	NBR	
12	Plug	POM	



Type code

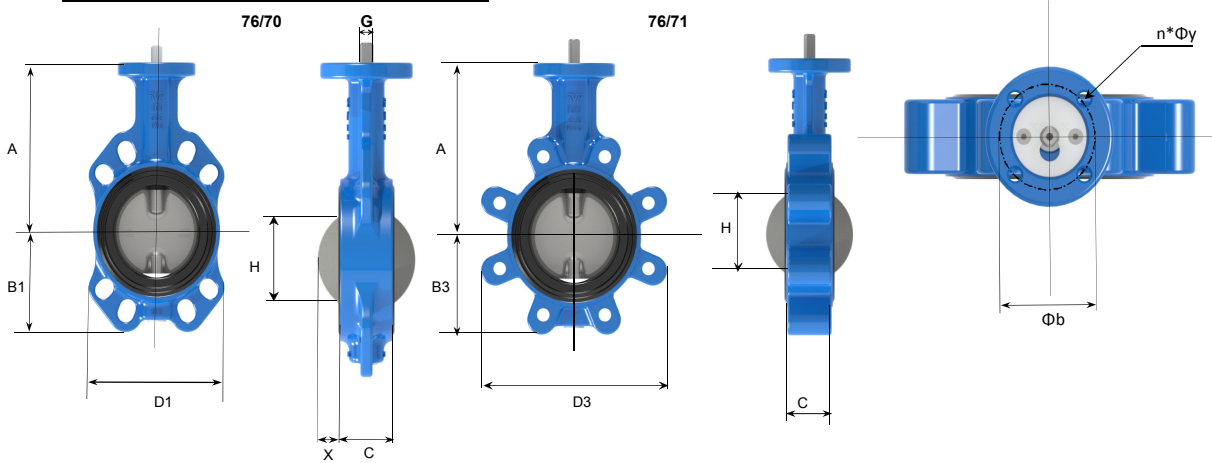
76 - AAAA - BB - CC DD EE F GGG HH

1 2 3 4 5 6 7 8

1	Dimension	0050-0065-0080-0100-0125-0150-0200-0250-0300-0350-0400	
2	Type	70	Euronomic Wafer
		71	Euronomic Lug
3	Body/Lining		Body
		80	Wafer
		81	Wafer
		82	Lug
		83	Lug
		84	Wafer
4	Disc/Shaft		Lining
		85	Lug
			Disc
		74	1.4408
		75	Ductile Iron, Epoxy coated
5	Drilling	77	1.4408
		79	Ductile Iron, Epoxy coated
			Shaft Material /Shaft Head Shape
		01	PN10
		02	PN16 (This always for wafer type)
6	PS(Unbalanced pressure ΔP)	10	CL 150 A
		40	BS10 Table E / AS2129 Tab E
		42	BS10 Table D / AS2129 Tab D
		3	10 (For DN350-400 only)
7	Coating	6	16
		902	Epoxy Powder RAL-5017 Blue 80my AVK Logo
8	Actuation	03	Wormgear-(Alu)
		05	Lever-PA(only on DN50 to DN200)

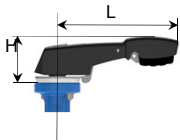
Series 76 - Butterfly Valve DN50-400

Dimensions



DN	A	B1	B3	C	D1	D3	H	X	kv(m ³ /h)	(kg)76/70	(kg)76/71	Φb	n*Φy	G
50	125	63	63	43	163	151	43.6	3.2	91	2.3	2.9	50	4*Φ7	□9
65	150	76	76	46	181	171	58	8.9	206	3	3.7	50	4*Φ7	□9
80	157	83	83	46	198	186	72.3	16	436	3.6	5	50	4*Φ7	□9
100	182	95	95	52	231	216.5	91.25	22.6	660	5.4	7.4	70	4*Φ9	□11
125	201	110	112	56	177	248	116.3	33.1	1300	7.1	10.4	70	4*Φ9	□14
150	214	125	125	56	202	275.5	141	47.55	2100	8.4	11.4	70	4*Φ9	□14
200	245	155	155	60	256	329	190.9	68.5	4100	13.1	18.1	70	4*Φ9	□17
250	283	193.5	193.5	68	310	398	241.3	89.7	6090	23	30	102	4*Φ11	□22
300	308	219	219	78	365	470	291.4	109.8	9570	33	42	102	4*Φ11	□22
350	354	272	252	78	427	492	338	134.1	12958	46	55	125	4*Φ15	Φ35
400	384	301	281	102	475	550	396	147.2	17244	66	84	140	4*Φ19	Φ45

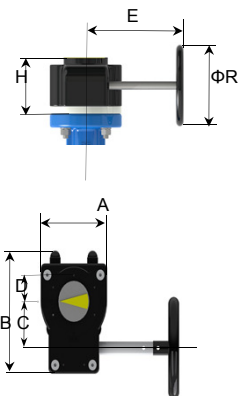
Handlever



PA6.6 30% GF

DN	Item No	L	H	(kg)
50-80	7600808117221	195	62	0.18
100	7601008121831	240	65	0.38
125-150	7601508121831	240	65	0.37
200	7602008136731	390	71	0.64

Gearbox



Aluminium, Polyurethan coated (liquids, 20°C + 80°C)

DN	Item No	A	B	C	D	E	H	ΦR	n*	(kg)
50-80	7650700011000000000	82	119	42	28	161	64	200	9.75	1.04
100	7650700012000000000	82	119	42	28	161	64	200	9.75	1.04
120-150	7650700013000000000	82	119	42	28	161	64	200	9.75	1.04
200	7650700014000000000	82	119	42	28	161	64	200	9.75	1.04
250-300	7651000016000100000	103	142	50.75	36	179	71	200	9.5	1.81
350	7651210344001200000	132	197	60.25	-	203	90	400	10	6.66
400	7651410345001700000	176	231	93	-	199	112	400	11.5	14.68

* n=Handwheel turns ON/OFF

* DN350-400 is Cast Iron Housing Gearbox