



Orbinox



Glenfield



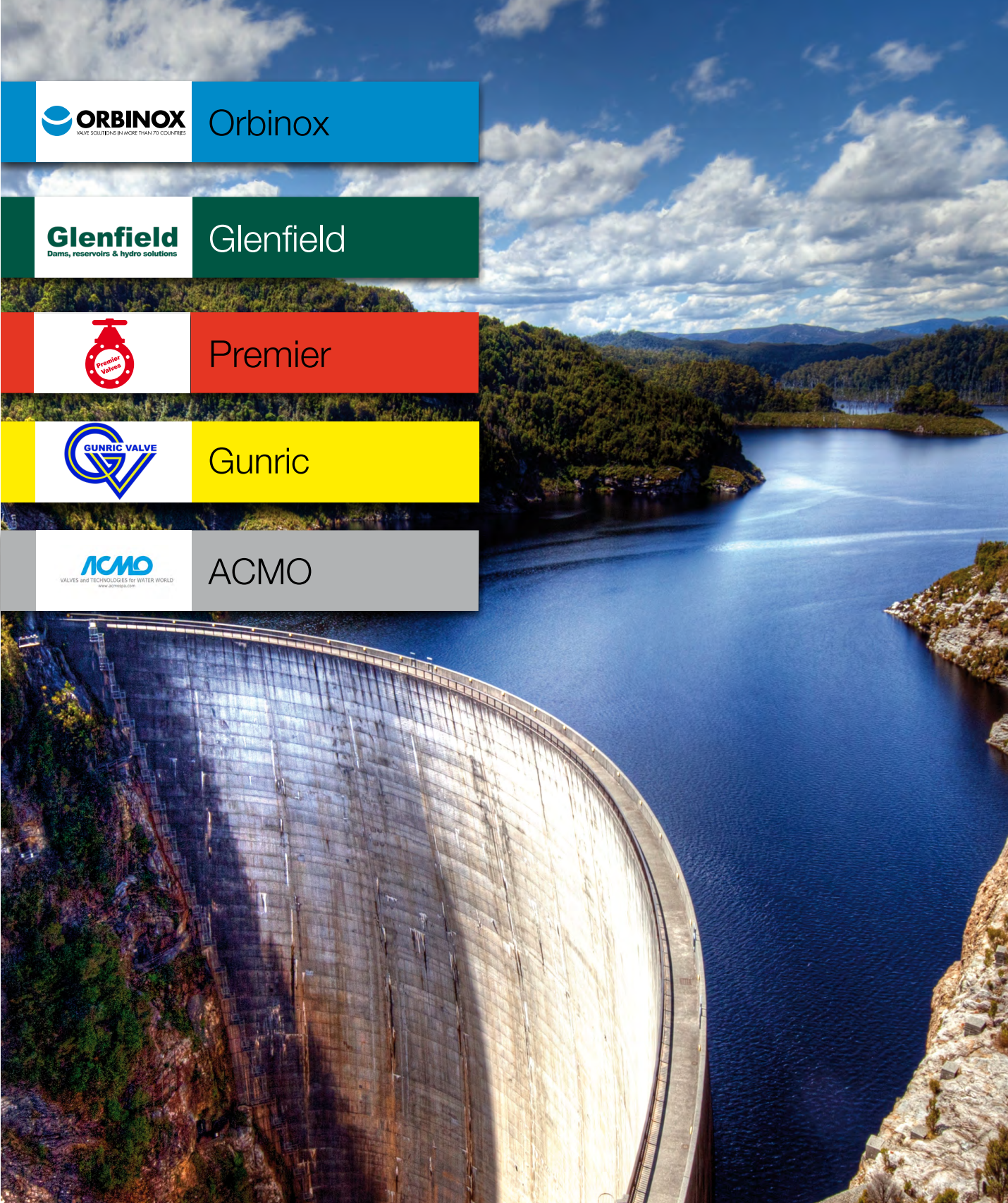
Premier



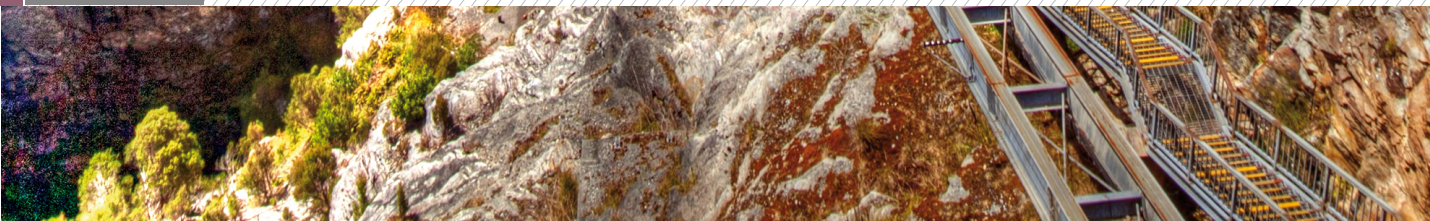
Gunric



ACMO



DAMS, RESERVOIRS & HYDROPOWER SOLUTIONS





DAMS, RESERVOIRS & HYDROPOWER



DAMS, RESERVOIRS & HYDROPOWER



CONTENT:

TECHNICAL CAPABILITIES	4-5
APPLICATION MATRIX	6-7
BOTTOM OUTLETS	8
INTERMEDIATE OUTLETS	9
SPILLWAYS & CANALS	10
HYDROPOWER STATIONS & REVERSE PUMPED STORAGE	11
PRODUCT RANGE	12-13
SUPPLY SOLUTION PROVIDER	14-15

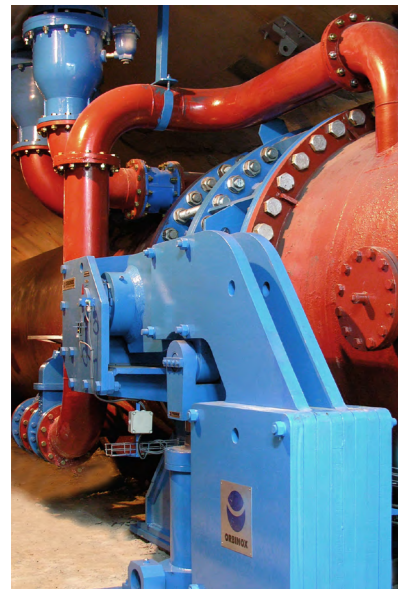


EXPECT GLOBAL LEADERSHIP & LOCAL COMMITMENT

WHATEVER YOU MAY NEED, WE CAN PROVIDE

Together, Orbinox Valves International, Glenfield Valves Ltd, Premier Valves, Gunric Valves and ACMO, leading global valve manufacturers and part of the AVK Group, form a combined wealth of experience, expertise and resource to globally develop the AVK Dams, Reservoirs and Hydro Power Sector.

Our common product portfolio comprises a large and comprehensive range of valves, including bonneted gate valves, radial and roller gates, discharge valves, large diameter knife gates valves, butterfly valves, check and recoil valves, gate valves, needle valves, spherical and boving valves, etc. for the Dams, Reservoirs & Hydro Power segments.



WHEREVER YOU ARE, SO ARE WE

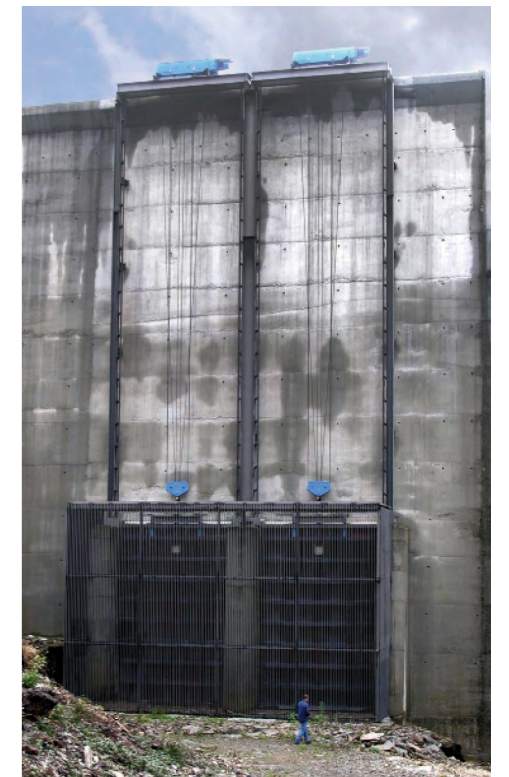
Our geographical presence and product range may be global, but our focus is local. We stay close to our customers throughout the entire process. The proximity allows us to better understand our customers' needs and tailor our solutions to fit them.

Being a global player, we are able to provide highly engineered products and service solutions approved to international standards whilst always understanding and adapting to local specifications and project requirements.



EXPECT QUALITY & A LONG-TERM PARTNERSHIP

QUALITY IS ESSENTIAL! WHEN IT COMES TO VALVES, HYDRANTS, FITTINGS AND ACCESSORIES, OUR CUSTOMERS EXPECT LONG LASTING SOLUTIONS



WE BUILD ON AND INVEST IN LONG-TERM PARTNERSHIPS, BECAUSE OUR CUSTOMERS ARE MUCH MORE VALUABLE THAN A SINGLE TRANSACTION



VALVE TYPE

VALVE TYPE

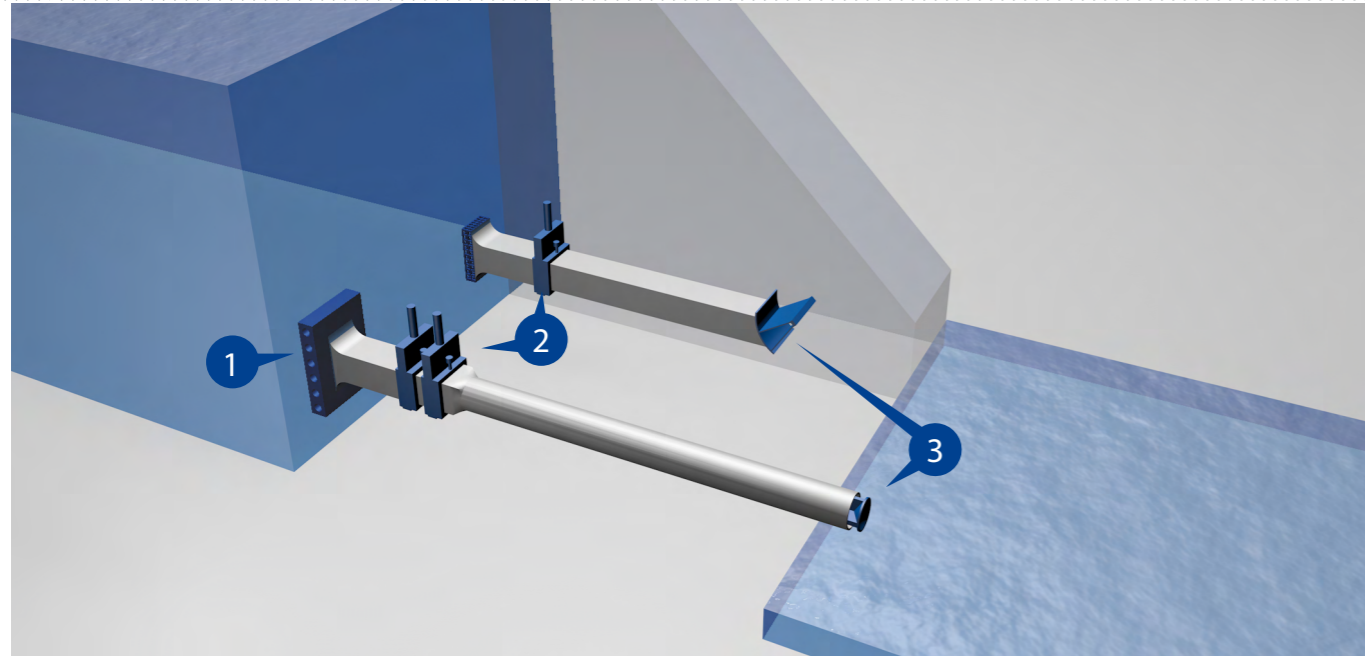
VALVE TYPE

	Bonneted Gate	Radial Gate	Roller Gate	Stop Gate	Penstock / Sluice Gate	Free Discharge	Submerged Discharge	Fabricated Butterfly	Butterfly	High Performance Butterfly	Knife Gate	Wedge Gate e	High Performance Gate	Tilting Disc / Butterfly Check	Recoil Check	Slanted Seat Check	Needle Control	Automatic Control	Air	Spherical
Bottom Outlets																				
Intake Gate			•																	
Guard Valve	•									•	•	•						•	•	
Discharge Valve		•				•	•										•			
Intermediate Outlets																				
Intake Tower																				
Intake			•																	
Intermediate Outlet																				
Intake Gate			•																	
Guard Valve	•									•	•	•						•	•	
Control / Discharge Valve		•				•	•		•	•		•	•				•	•	•	
Spillways & Canals																				
Spillway																				
Gate		•	•	•	•															
Canal																				
Gate		•	•	•	•															
Hydro Power & Reverse Pumped Storage																				
Hydro Power Station																				
Intake Control	•	•	•		•			•	•	•	•	•						•	•	
Turbine Protection			•					•	•	•									•	•
Turbine Bypass / Tailrace	•					•	•				•	•					•	•	•	•
Reverse Pumped Storage																				
Reverse Pumped Storage	•							•	•	•	•	•		•	•	•		•	•	•





APPLICATIONS

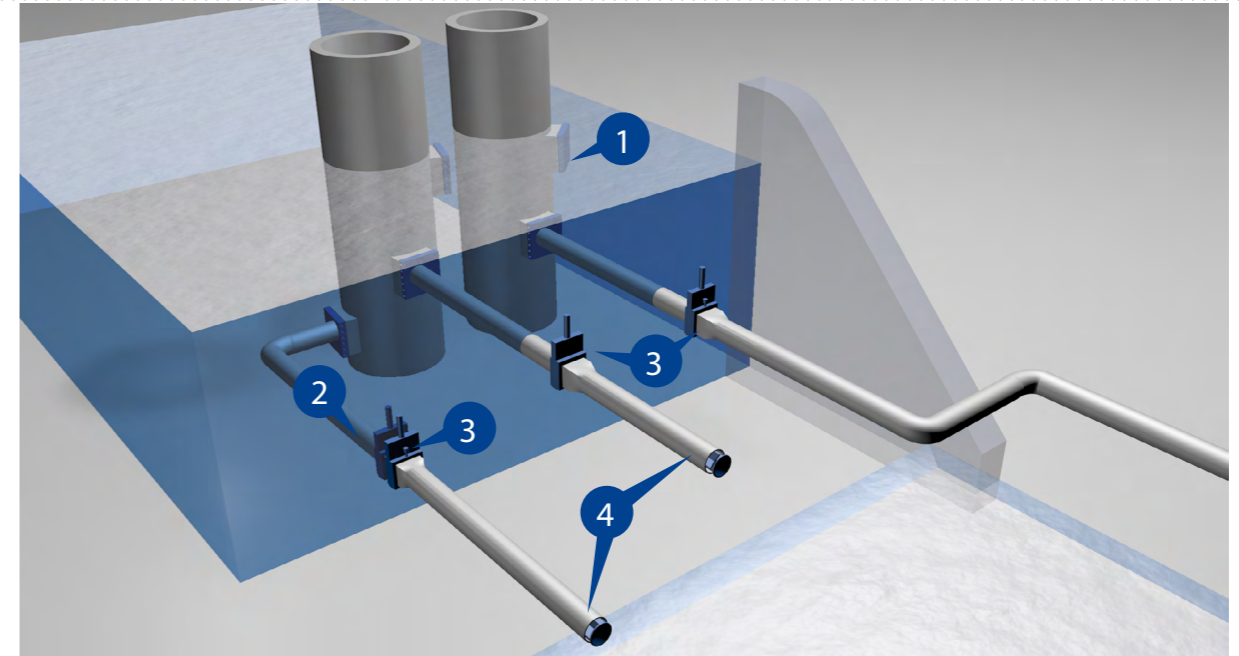


BOTTOM OUTLETS

	Bonneted Gate	Radial Gate	Roller Gate	Free Discharge	Submerged Discharge	High Performance Butterfly	Knife Gate	Wedge Gate	Needle Control	Automatic Control	Air	
1 Intake Gate												
2 Guard Valve												
3 Discharge Valve												



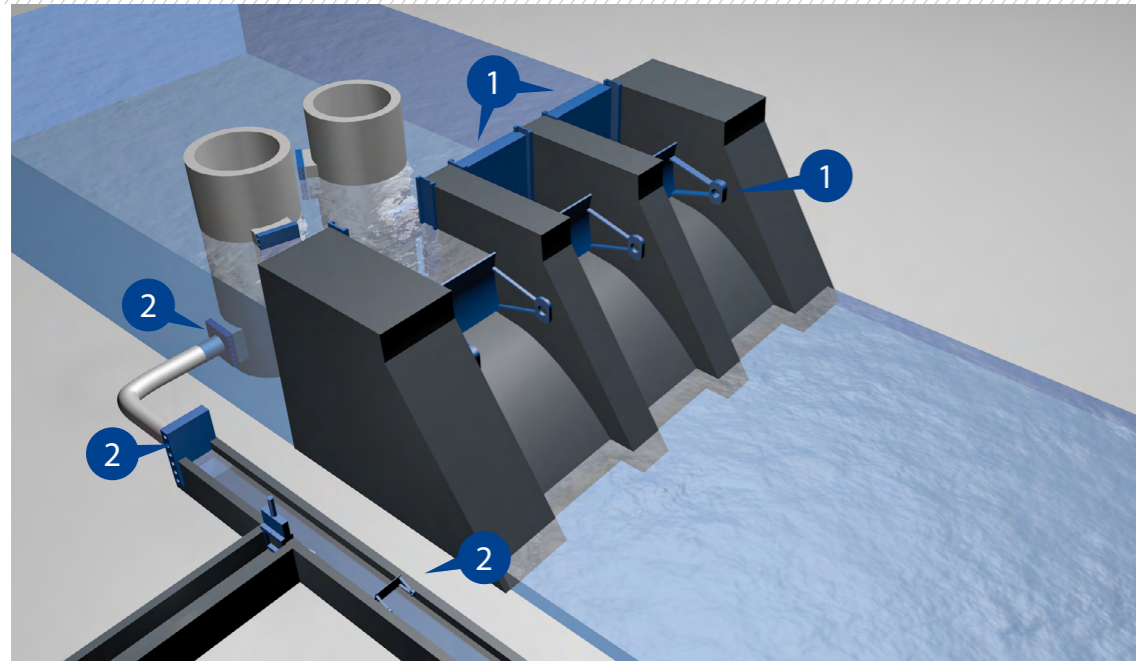
APPLICATIONS



INTERMEDIATE OUTLETS

	Bonneted Gate	Radial Gate	Roller Gate	Free Discharge	Submerged Discharge	Butterfly	High Performance Butterfly	Knife Gate	Wedge Gate	High Performance Gate Valve	Needle Control	Automatic Control	Air Valve
Intake Tower													
1 Intake Gate													
Intermediate Outlet													
2 Intake Gate													
3 Guard Valve													
4 Control / Discharge Valve													

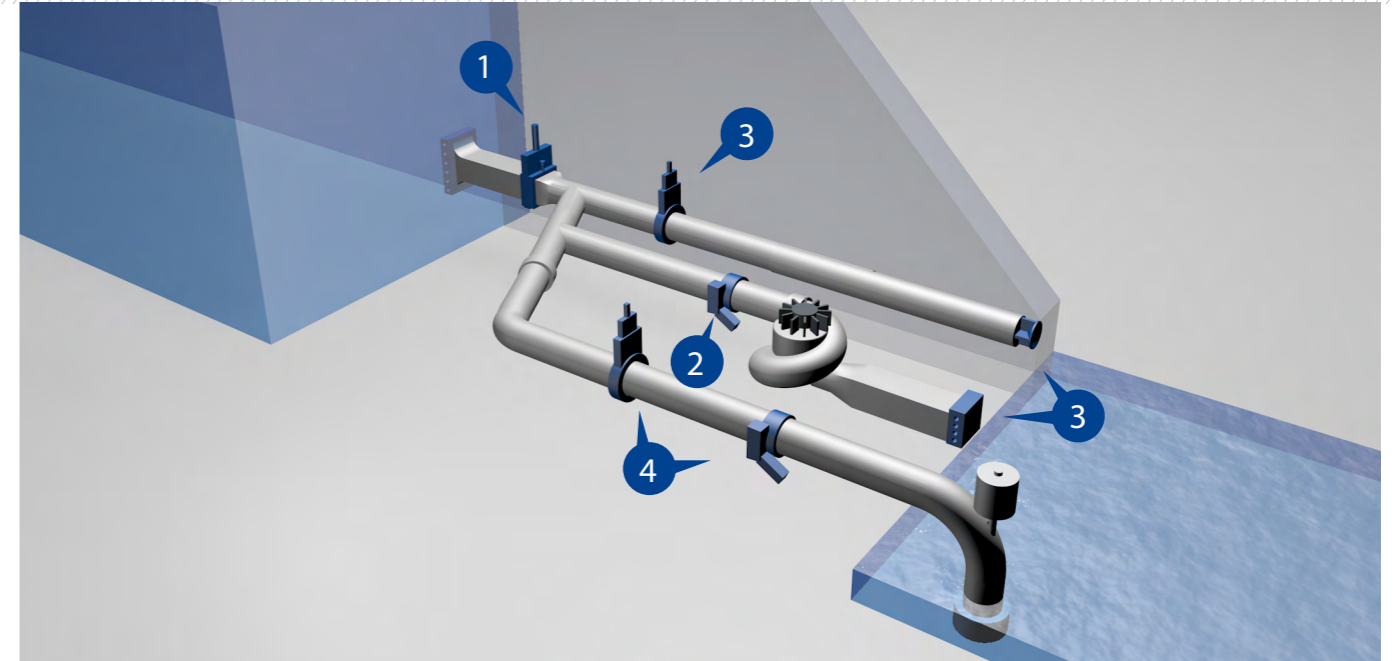
APPLICATIONS



SPILLWAYS & CANALS

	Radial Gate	Roller Gate	Stop Gate	Penstock / Sluice Gate
Spillways & Canals				
1, 2 Gate				

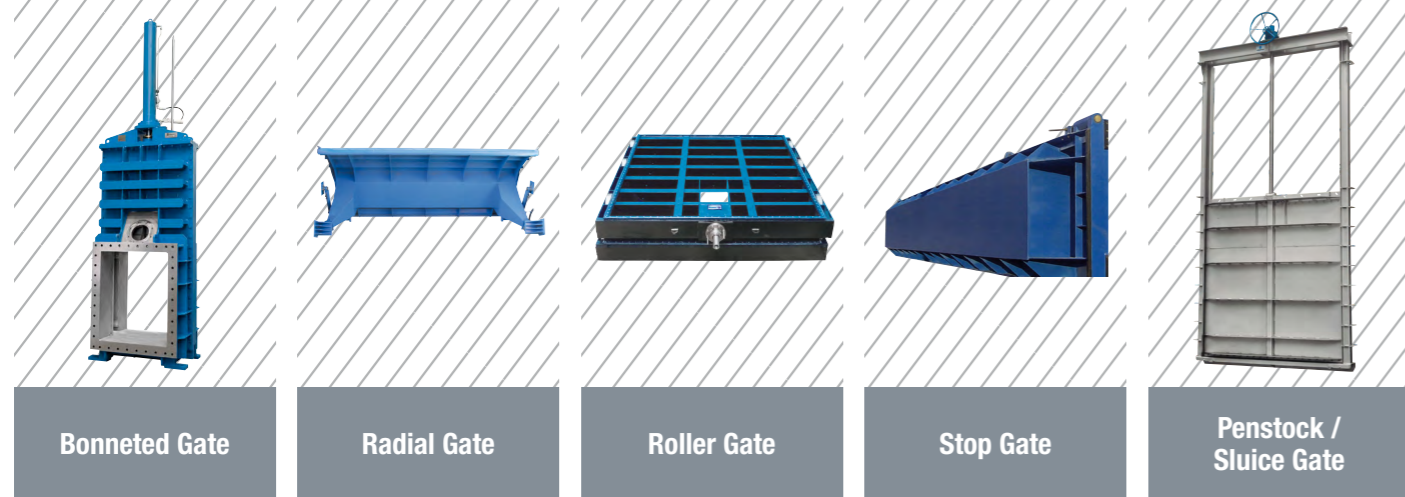
APPLICATIONS



HYDROPOWER STATIONS AND REVERSE PUMPED STORAGE

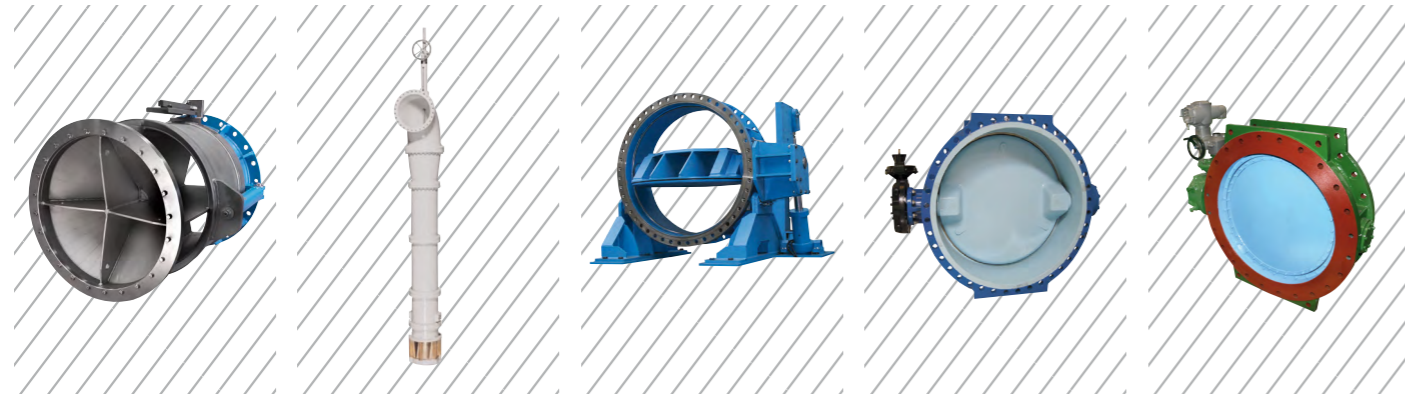
	Bonneted Gate	Radial Gate	Roller Gate	Penstock / Sluice Gate	Free Discharge	Submerged Discharge	Fabricated Butterfly	Butterfly	High Performance Butterfly	Knife Gate	Wedge Gate	Tilting Disc / Butterfly Check	Recoil Check	Slanted Seat Check	Needle Control	Automatic Control	Air Valve	Spherical
Hydro Power Station																		
1 Intake Control																		
2 Turbine Protection																		
3 Turbine Bypass / Tailrace																		
Reverse Pumped Storage																		
4 Reverse Pumped Storage																		

PRODUCT RANGE



Bonneted Gate Carbon or stainless steel fabricated body and gate, bronze seat and hydraulic or electric actuation.	Radial Gate Carbon or stainless steel fabricated gate, three or four side sealing with elastomer seals and hydraulic or electric actuation.	Roller Gate Carbon steel fabricated gate, roller system for guiding purposes, elastomer seals and hydraulic or electric actuation.	Stop Gate Carbon steel fabricated gate, elastomer seals, normally operated with auxiliary lifting equipment / crane.	Penstock / Sluice Gate Three and four side sealing. Stainless steel full frame and gate, EPDM seals, HMWPE guides and various actuation solutions (manual, pneumatic, electric... etc).
--	---	--	--	---

Specifics: Size: Up to 2500 x 3500 mm Pressure: Up to 20 bar	Specifics: Size: Up to 20000 x 7000 mm Pressure: Gate height	Specifics: Size: Up to 6000 x 8000 mm Pressure: Up to 10 bar	Specifics: Size: Up to 20000 x 7000 mm Pressure: Gate height	Specifics: Size: Up to 4000 x 4000 mm Pressure: 4-side: 1 bar on / 0,6 bar off 3-side: Gate height
---	---	---	---	--

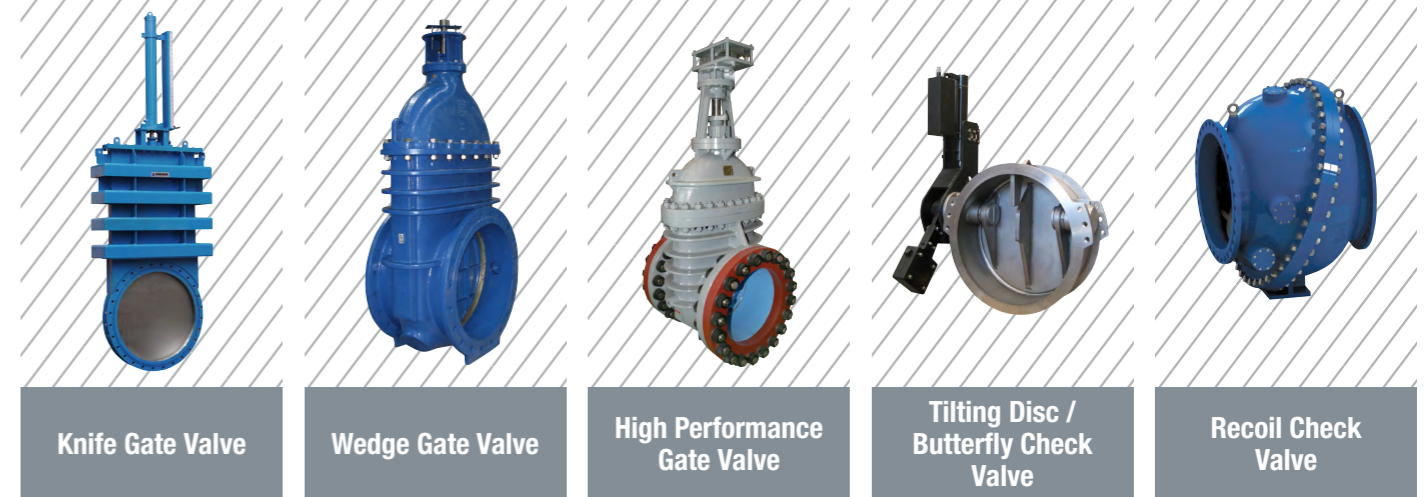


Free Discharge Valve Cast body or carbon steel / stainless steel fabricated body, elastomer seat and hydraulic or electric actuator.	Submerged Discharge Valve Terminal discharge valve providing submerged energy dissipation and flow control. Type – End of line single flanged.	Fabricated Butterfly Valve Carbon or stainless steel fabricated body and disc, elastomer seal and hydraulic or electric actuator.	Butterfly Valve Double eccentric butterfly valve with seal on disc design. Fully bi-directional with drop tight shut off and double flanged connection.	High Performance Butterfly Valve Boving type double eccentric resilient seal on disk and stainless steel body seat. Drop tight shut-off in preferred direction and double flanged connection.
--	--	---	---	---

Specifics: Size: Up to DN3000 Pressure: Up to 20 bar	Specifics: Size: DN200 – 1800 Pressure: 10 & 16 bar	Specifics: Size: Up to DN3500 Pressure: Up to 10 bar (DN3500) Up to 16 bar (DN2000) Up to 25 bar (DN1000)	Specifics: Size: DN200 – 2800 Pressure: PN10, 16 & 25 bar	Specifics: Size: DN100 – 3000 Pressure: PN10, 16, 25 & 40 bar
---	--	--	--	--

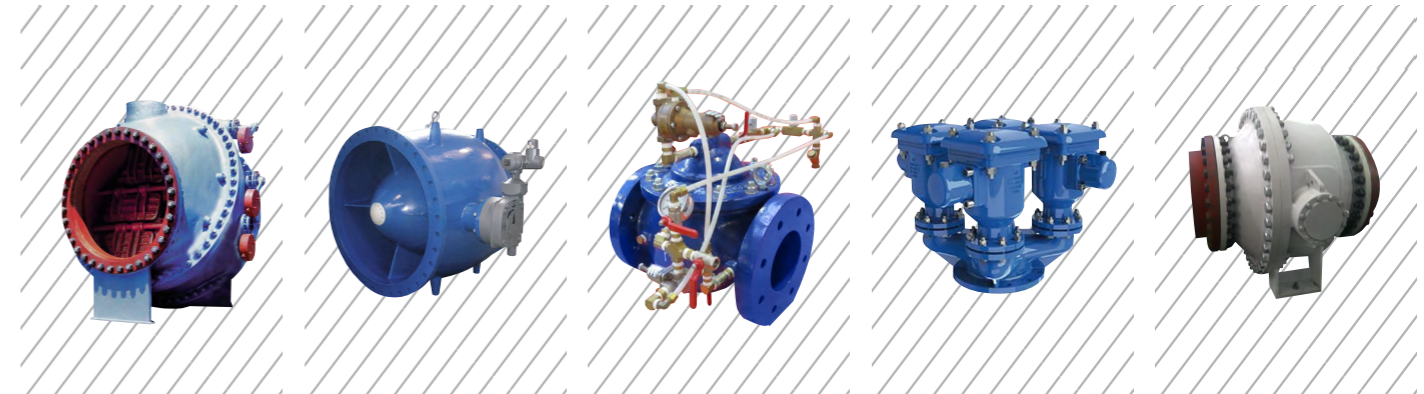


PRODUCT RANGE



Knife Gate Valve Bonneted valve, carbon or stainless steel fabricated body bonnet and gate, elastomer or bronze seat and hydraulic or electric actuation.	Wedge Gate Valve Metal seated gate valve for isolation. Double Flanged (PN 25 available in certain sizes).	High Performance Gate Valve Heavy duty ductile iron or steel cast valve, with weld deposit seats, extruded dovetail channel guides and shoes, and thrust bearings.	Tilting Disc / Butterfly Check Valve Carbon or stainless steel fabricated body and disc, metal or elastomer seat and optional hydraulic damper and counterweight.	Recoil Check Valve Metal seated high performance, fast acting, non slam check valve.
---	--	--	---	--

Specifics: Size: Up to DN3500 Pressure: Up to 20 bar	Specifics: Size: DN50 – 2400 Pressure: 10 & 16 bar	Specifics: Size: DN80 – 1800 Pressure: PN10, 15, 25, 40 & 64 bar	Specifics: Size: Up to DN2000 Pressure: Up to 16 bar	Specifics: Size: DN50 - 1400 Pressure: PN10, 16 & 25 bar
---	---	---	---	---



Slanted Seat Check Valve Three piece design with replaceable central section, with multiple doors for rapid closing times without slamming and high pressure flushing for cleaning.	Needle Control Valve Flow, level and pressure control valve used for in-line and terminal applications.	Automatic Control Valve Ductile iron body/bonnet and stainless steel body seat globe/ diaphragm type valve. Large passageways for higher flow rates and greater cavitation resistance.	Air Valve Triple function ventilation air valves with aerokinetic performance. Large discharge capacities and drop tight shut off for full pressure range.	Spherical Valve Cast or fabricated, metallic/ soft designs, with movable service seal. Counterweight/ hydraulically operated with digital instrumentation systems.
---	---	--	--	--

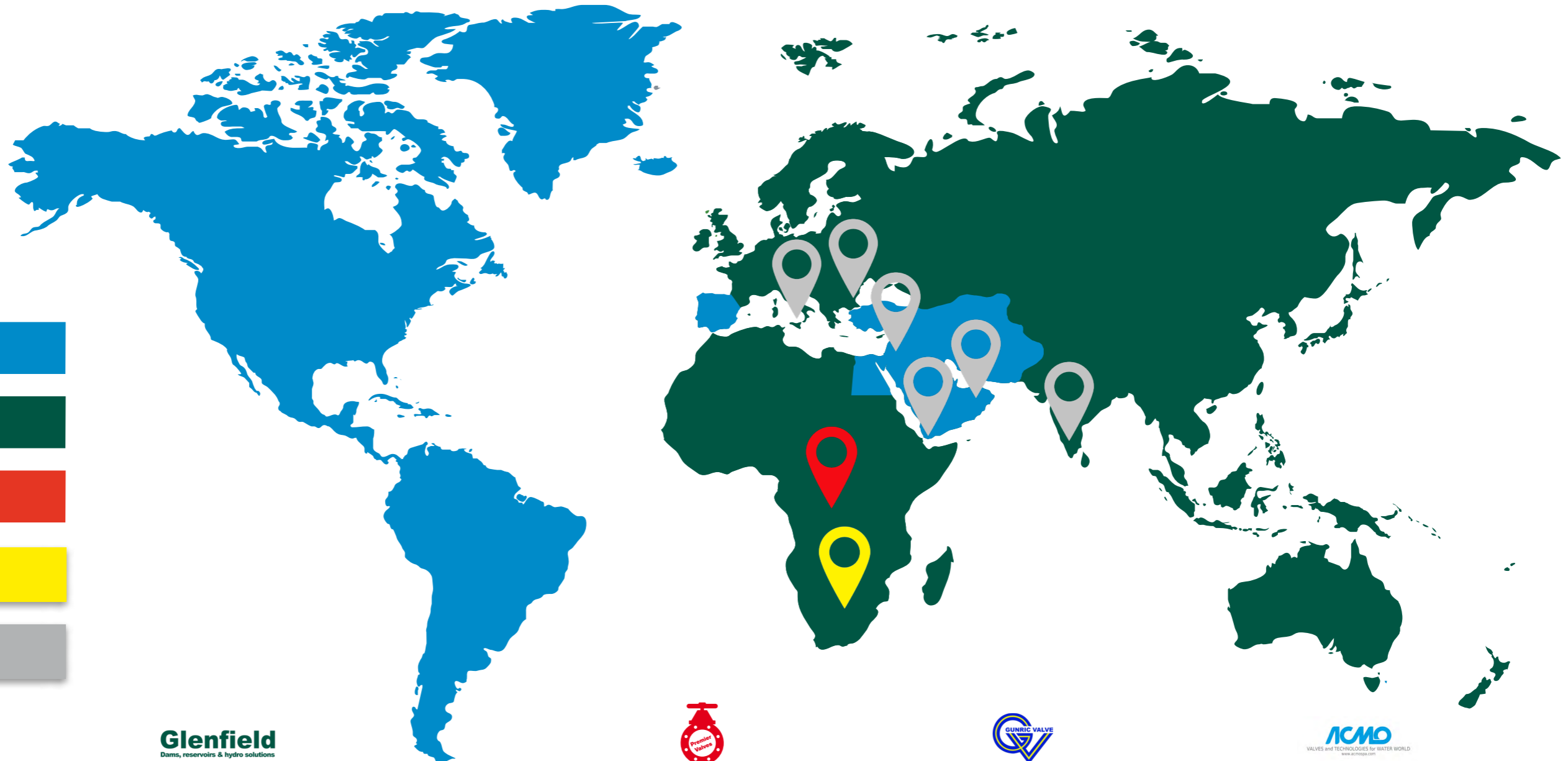
Specifics: Size: DN500 – 2000 Pressure: PN10, 16, 25 & 40 bar	Specifics: Size: DN80 – 2000 Pressure: PN10, 16, 25, 40, 64 & 100 bar	Specifics: Size: DN50 – 500 Pressure: PN10, 16, 25 & 40 bar	Specifics: Size: DN25 – 250 Pressure: PN10, 16 & 25 bar	Specifics: Size: DN300 - 2000 Pressure: PN10, 16, 25, 40 & 64 bar
--	--	--	--	--



SUPPLY SOLUTION PROVIDER



SUPPLY SOLUTION PROVIDER



	Orbinox
	Glenfield
	Premier
	Gunric
	ACMO



ORBINOX is present in more than 70 countries with over 50 years of experience designing, manufacturing and marketing knife gate valves, penstocks, dampers and valves for hydraulic works.

Product quality and customer satisfaction are our goals. We have a highly qualified and experienced team providing the best solutions to suit the needs of our customers.

Our global presence enables us to be close to our customers in order to offer technical advice and respond to their requirements. We think globally, whilst applying local expertise.



Glenfield Valves, located in Scotland since 1852 have been designing and manufacturing specialist engineered valves for more than 150 years.

Our products are installed worldwide in dams, reservoir and hydropower applications.

Providing engineered valve solutions ranging from 50mm to 3000mm according to most of the worlds international design standards has made the Glenfield name synonymous with engineering excellence worldwide.

Our team of highly qualified engineers and project managers are available to assist in the design, procurement, installation and planned maintenance of a complete range of AVK Group products.



The **Premier Valves Group** (PVG) is one of Africa's largest and longest established valve suppliers, that specialises in the manufacture of large bore, high pressure, engineered valve products for both bulk water supply & power/ industrial applications.

PVG is based in its own 46,000 sqm factory outside Johannesburg, and also offers valve factory repair and refurbishment services, as well as, on site installation, commissioning and preventative maintenance services.



Gunric Valves, is a premium industrial valve supplier, providing customised butterfly and check valves for unique industrial applications. Gunric is recognised internationally as a leading manufacturer of butterfly and tilting disk check valves.

Built for extreme pressure and temperature applications, products from Gunric are ideally suited for the water, oil, process, mining, power generation, petrochemical, gas, sugar and steel industries.



ACMO designs and manufactures hydraulic equipment for water distribution, water transmission, irrigation and water treatment. The ACMO Group support and develop technologies which combine to make efficient and safe systems for the management of water ecosystems.

ACMO operates across five office locations and over 10 international agencies. Thanks to its acquired know-how in water projects, ACMO provide information and assistance, with specific studies for the update of installed equipment.



VALVES and TECHNOLOGIES for WATER WORLD
www.acmospa.com



Glenfield
Dams, reservoirs & hydro solutions
ASIA PACIFIC AREA

PO Box 3014, Shelley
Perth, WA 6148,
Australia

T+61 (0)433 700 966
pmt@glenfieldap.com.au
www.glenfieldap.com

Glenfield
Dams, reservoirs & hydro solutions
Europe, the Middle East and Africa

Søndergade 36
DK-8464 Galten
Denmark

+45 246 044 89
jornie@glenfield.co.uk
www.glenfieldinvicta.co.uk

AVR
AVK Southern Africa

10 Chris Street
C/O Chris & Garfield
Alrode, Johannesburg
South Africa

+27 11 908 3760
info@avkvalves.co.za
www.avkvalves.co.za

ORBINOX
VALVE SOLUTIONS IN MORE THAN 70 COUNTRIES
Europe, the Middle East and Africa

ORBINOX Valves International
Pº Mikeletegui 56, planta 3ª
20009 San Sebastian
Spain

+34 943 698030
www.orbinox.com
drh@orbinox.com

